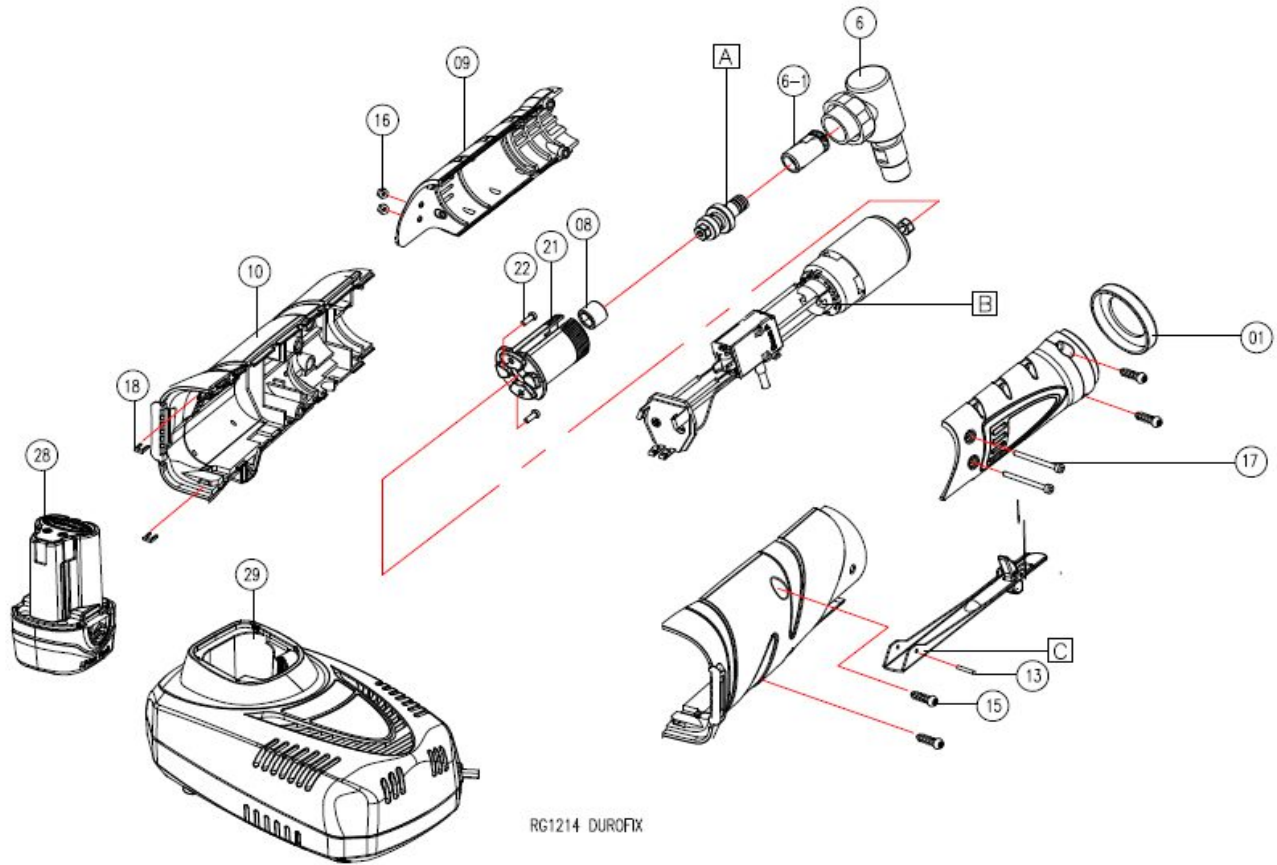


# ARG1214 EXPLODED DIAGRAM



RG1214 DUROFIX

Item	Description	Ordering #	Q'ty
1	Fixed Ring	20031529	1
A*2	Ball Bearing	21230146	1
A*3	Ball Bearing	21230147	1
A*4	Shaft	21730481	1
A*5	Spacer	21030613	1
6-1	Pinion	21030645	1
A*7	Washer	20930058	1
8	Bushing	30930241	1
9	Metal Enclosure	30031492	1
10	Enclosure	30031571	1
C*11	Trigger	20031530	1
C*12	Spring	20830345	1
C*13	Spring Pin	20930638	2
C*14	Lock Sheetmetal	20430168	1
15	Screw	20930331	4

Item	Description	Ordering #	Q'ty
16	Nut	20930787	2
17	Screw	20930784	2
18	U-Ring	20030117	2
B*19	Motor	10430411	1
B*20	Spacer	21030613	1
21	Holder	20230354	1
22	Screw	20930123	2
B*23	Switch	10530217	1
B*24	PCB Set	RS13N0727	1
B*25	Terminal Holder	30230850	1
B*26	Wire	10030310	1
B*27	Wire	10030430	1
B*28	Wire	10030075	1
B*29	Bushing	20730343	1
B*27	Bushing	20730343	1

A.	Shaft Set Service Set Include {2.3.4.5.7}	RS99G0044	1
B.	Motor Switch Set Service Set Include {19.20.23.24.25.26.27.28.29}	RS99G0042	1

C.	Trigger Set Service Set Include {11.12.13.14}	RS99G0043	1
----	---	-----------	---

\* Battery and Charger will be sold as Accessory.